



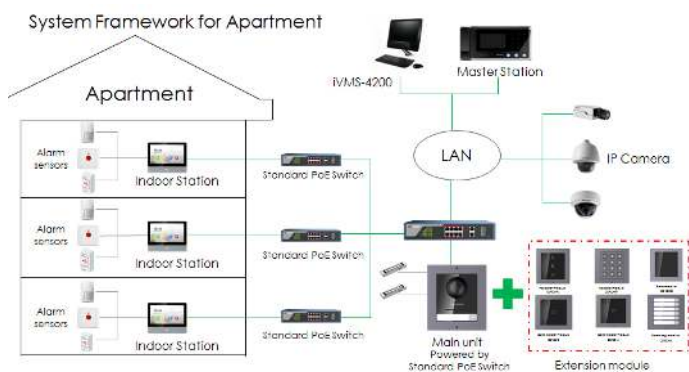
Key Feature

- 2 MP HD video intercom function
- Access control function
- Noise suppression and echo cancellation
- Low illumination
- Tampering alarm supported
- Fisheye camera with IR supplement light
- Supports sub-modules' access (max. 7)
- Nametag customization
- Easy to and extend

Approval

| | |
|-------------|---|
| CE-EMC | a. EN 55032:2015 b. EN 61000-3-2:2014 c. EN 61000-3-3:2013 d. EN 50130-4:2011 +A1:2014 |
| CE-LVD | EN 60950-1:2006 + A11:2009 + A1:2010 + A12:2011 + A2:2013 |
| CB | IEC 60950-1:2005 (Second Edition) + Am 1:2009 + Am 2:2013 |
| FCC-SDOC | 47 CFR Part 15, Subpart B |
| C-TICK(EMC) | AS/NZS CISPR 32:2015 |
| UL | UL 60950-1 & CAN/CSA C22.2 No. 60950-1-07, Information Technology Equipment – Safety – Part 1: General Requirements |
| ROHS | 2011/65/EU |
| REACH | Regulation (EC) No 1907/2006 |
| WEEE | 2012/19/EU |

Typical Application



Specification

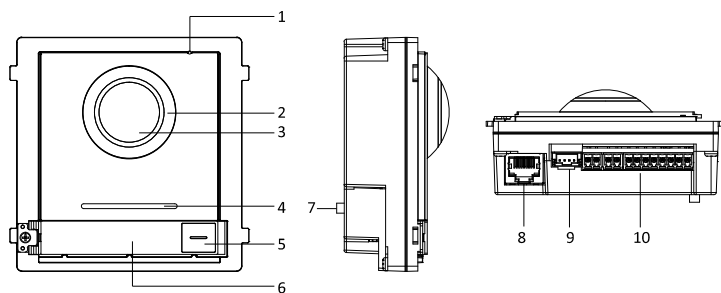
| System parameters | |
|----------------------------|---|
| Processor | Embedded MCU Processor |
| Operation system | Embedded Linux operation system |
| Operation method | Physical button |
| Video Parameters | |
| Camera | Low illumination 2 MP HD IR camera |
| Video Compression Standard | H.264 |
| Resolution | Main stream : 1920 × 1080 Sub stream : 720 × 480 |
| BLC | Supported |
| DNR | Supported |
| WDR | Supported |
| Anti-flicker | 50 Hz, 60 Hz |
| Field of view | Horizontal: 180° Vertical: 96° |
| Audio parameters | |
| Audio input | Built-in omnidirectional microphone |
| Audio output | Built-in loudspeaker (More than 85 dB within 20 cm) |
| Audio compression standard | G.711 U |
| Audio compression Rate | 64 Kbps |
| Audio quality | Noise suppression and echo cancellation |
| Light supplement | |
| Light supplement mode | IR supplement |
| Network parameters | |
| Ethernet | 10/100 Mbps self-adaptive Ethernet |
| Network protocol | TCP/IP, RSTP |
| Alarm parameters | |
| Tampering alarm | 1 |
| Interfaces | |
| Module-connecting | 1 |
| Door contact input | 2 |
| Exit button input | 2 |
| I/O input | 4 |
| Debug | 1 |
| Door control | 2, breakdown voltage: 36 V |
| Performances | |
| Card capacity | Max. 10000 |
| User capacity | Max. 2000 |
| Linked Indoor station | Max. 100 |
| Linked sub door station | Max. 8 |

| Linked doorphone | Max. 8 |
|---------------------|---|
| Protocol | ISAPI, RTSP, STMP, SNMP |
| Unlock door | Unlock by presenting cards, unlock via Client Software, unlock via App, unlock via indoor station |
| General | |
| Physical button | 1 |
| Power supply | 12 VDC/PoE (IEEE 802.3af) |
| Power consumption | ≤ 10 W |
| Working temperature | -40° C to +55° C (-40° F to 131° F) |
| Working humidity | 10% to 95% |
| Installation | Flush mounting, surface mounting |
| Dimension | 98 mm × 99.8 mm × 43.9 mm (3.86" × 3.93" × 1.73") |
| Weight | 554 g (with packaging) 375 g (without packaging) |

Available Model

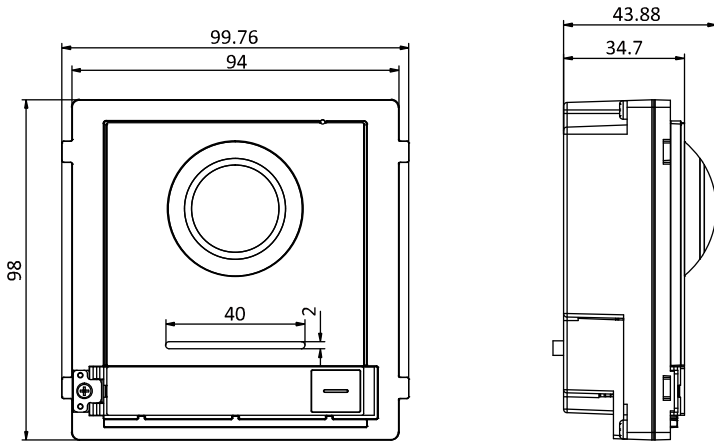
DS-KD8003-IME1

Appearance and Interfaces



| No. | Description | No. | Description |
|-----|--------------------------------------|-----|--------------------------------------|
| 1 | Microphone | 6 | Nametag |
| 2 | Low Illumination IR Supplement Light | 7 | TAMPER |
| 3 | Built-in Camera | 8 | Network Interface |
| 4 | Loudspeaker | 9 | Module-connecting Interface (output) |
| 5 | Call Button | 10 | Terminals |

Dimension

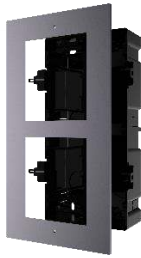


Accessory

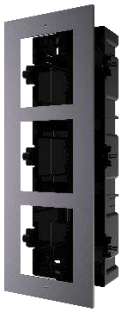
Optional



DS-KD-ACF1/Plastic



DS-KD-ACF2/Plastic



DS-KD-ACF3/Plastic



DS-KD-ACW1



DS-KD-ACW2



DS-KD-ACW3

Distributed by

**HIKVISION®****Headquarters**

No.555 Qianmo Road, Binjiang District,
Hangzhou 310051, China
T +86-571-8807-5998
overseasbusiness@hikvision.com

Hikvision USA
T +1-909-895-0400
sales.usa@hikvision.com

Hikvision Australia
T +61-2-8599-4233
salesau@hikvision.com

Hikvision India
T +91-22-28469900
sales@pramahikvision.com

Hikvision Canada
T +1-866-200-6690
sales.canada@hikvision.com

Hikvision Thailand
T +662-275-9949
sales.thailand@hikvision.com

Hikvision Europe
T +31-23-5542770
sales.eu@hikvision.com

Hikvision Italy
T +39-0438-6902
info.it@hikvision.com

Hikvision Brazil
T +55 11 3318-0050
Latam.support@hikvision.com

Hikvision Turkey
T +90 (216)521 7070- 7074
sales.tr@hikvision.com

Hikvision Malaysia
T +601-7652-2413
sales.my@hikvision.com

Hikvision UK & Ireland
T +01628-902140
sales.uk@hikvision.com

Hikvision South Africa
Tel: +27 (0)1 0351172
sale.africa@hikvision.com

Hikvision France
T +33(0)1-85-330-450
info.fr@hikvision.com

Hikvision Kazakhstan
T +7-727-9730667
nikia.panfilov@hikvision.ru

Hikvision Vietnam
T +84-974270888
sales.vt@hikvision.com

Hikvision UAE
T +971-4-4432090
salesme@hikvision.com

Hikvision Singapore
T +65-6684-4718
sg@hikvision.com

Hikvision Spain
T +34-91-737-16-55
info.es@hikvision.com

Hikvision Tashkent
T +99-87-1238-9438
uzb@hikvision.ru

Hikvision Hong Kong
T +852-2151-1761
info.hk@hikvision.com

Hikvision Russia
T +7-495-669-67-99
saleru@hikvision.com

Hikvision Korea
T +82-(0)31-731-8817
sales.korea@hikvision.com

Hikvision Poland
T +48-22-460-01-50
info.pl@hikvision.com

Hikvision Indonesia
T +62-21-2933759
Sales.Indonesia@hikvision.com

Hikvision Colombia
sales.colombia@hikvision.com